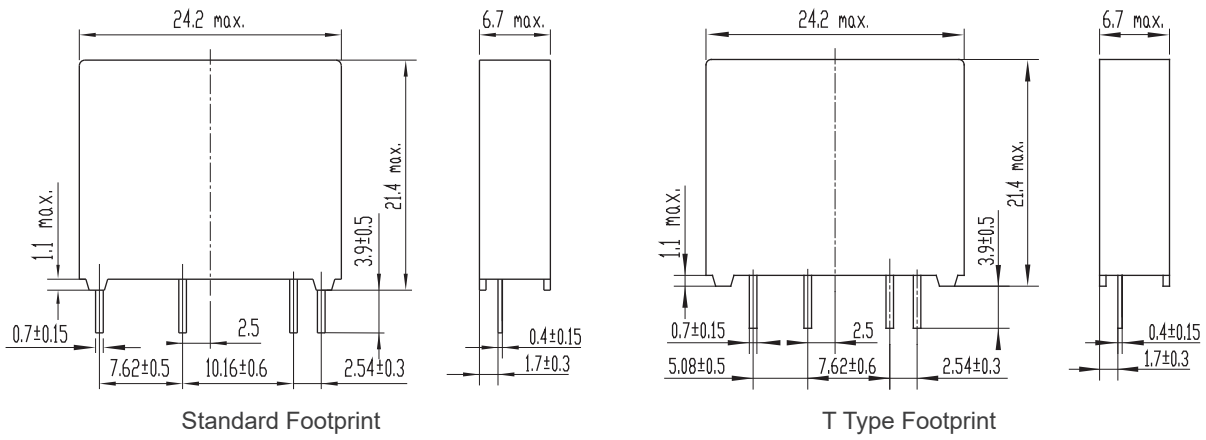




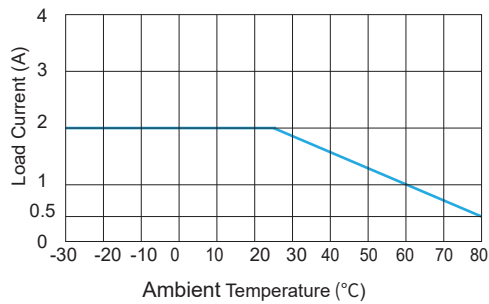
## Applications

Suitable for control electromagnetic valve, electric machine, filament lamp, and etc.

## Outline Dimensions



## Thermal Derating Curve



## General Notes

1. Soldering must be finished within 10 seconds at 260°C, or finished within 5 seconds at 350°C. Otherwise it may cause damage to the relay.
2. Terminal polarity must be observed. Otherwise it may cause damage to the relay.
3. When ambient temperature is above 25°C, the maximum load current decreases. See thermal derating curve.

## Certification

